

Boomer 45

Portable speaker

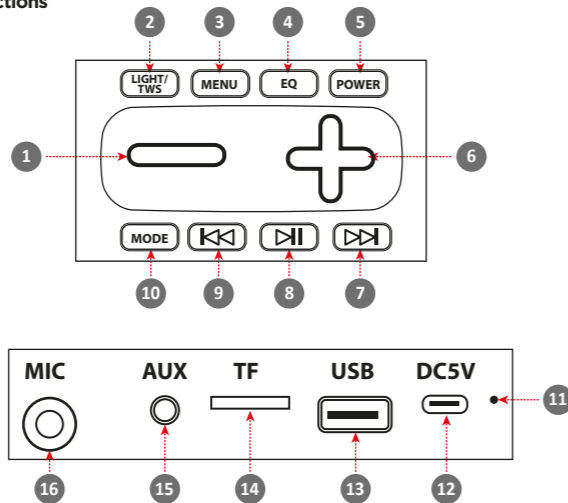
Operation manual



IP20 EAC RoHS



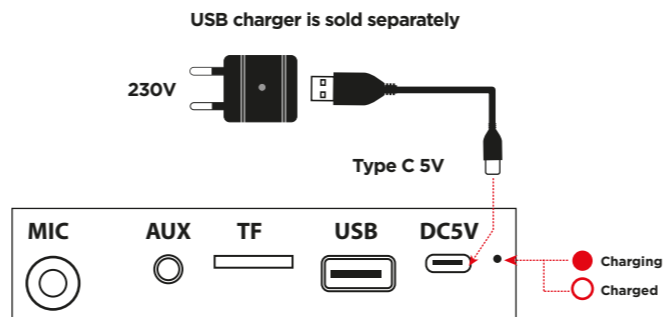
1. Functions



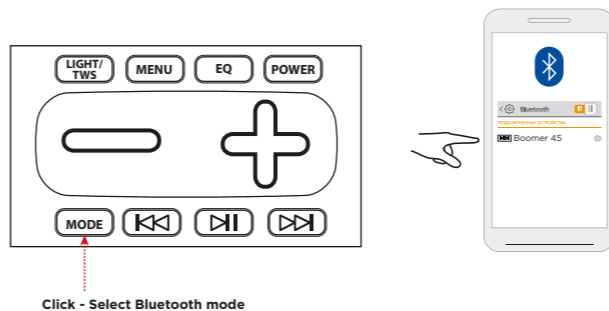
- | | |
|---|---|
| 1 Decrease volume, ECHO, microphone volume | 8 Play/Pause |
| 2 Click 4 the backlight modes (1-2-3-4-OFF)/ Long press - TWS mode | 9 Previous track / Previous FM station |
| 3 Selecting the adjustment mode:
- "L" screen - volume control
- "E" screen - ECHO control
- "H" screen - mic volume control
Long press to turn on/off the microphone priority function | 10 Switch BT/FM/AUX/USB/TF mode / Long press 3 sec disconnect the Bluetooth |
| 4 Select the equalizer mode (6 modes) | 11 Charging indicator |
| 5 Long press 3 sec - ON/OFF | 12 Charging Type C 5V |
| 6 Increase Volume, ECHO, microphone volume | 13 USB flash drive socket* |
| 7 Next track / Next FM station | 14 TF card socket* |
| | 15 3.5 mm audio input |
| | 16 Microphone socket |

*USB flash drive and TF drive must be up to 32GB in size and formatted in FAT32 system

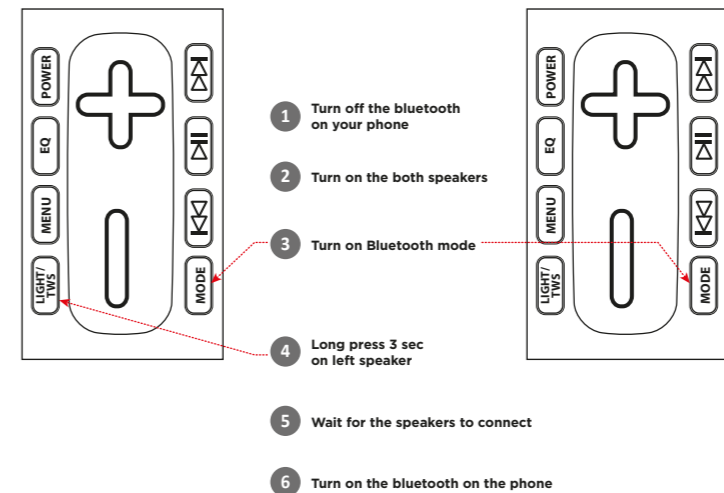
2. Charging



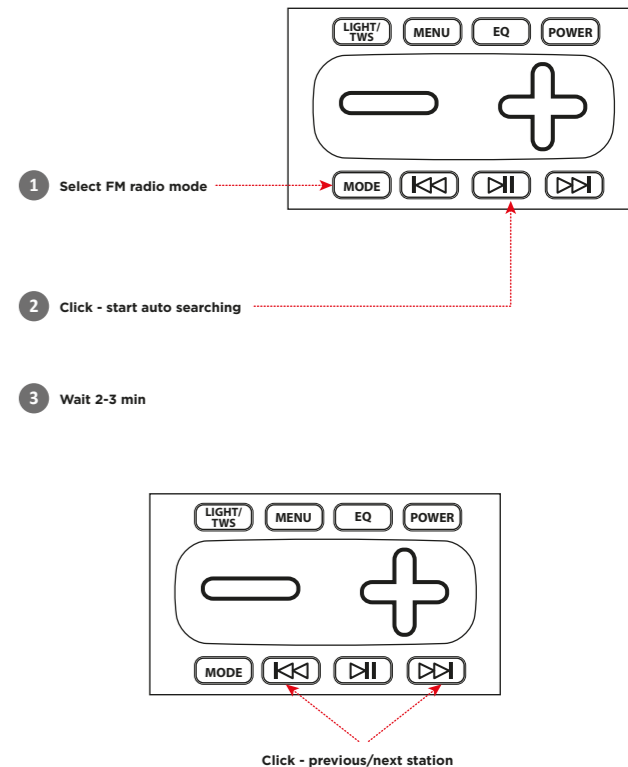
3. Bluetooth connection



4. Stereo system of two Boomer 45 (TWS mode)



5. FM radio



*NOTE - turning off the backlight improves radio tuning

